

FEED AND BIOFUEL POCKET FEEDER

FOR ANDRITZ "SPROUT" HAMMER MILLS

Providing consistent and even feedstock to the ANDRITZ hammer mills, the pocket feeder will extend the life of your grinding equipment.

FEATURES:

- Staggered intersecting pockets
- Variety of pocket materials
- Gear motor, chain drive for variable speed drive
- Full width magnet with safety interlock
- Integral air adjustment slide
- Low head room
- Spring loaded internal baffle to absorb shocks
- The rotating shaft contains staggered pockets which provide multiple discharge points across the hammer mill inlet. The result is even feed rate and even material distribution on providing longer hammer and screen life.
- Round bottom pockets prevent material build-up in pockets.
- Mechanical door interlock on hammer mill (no ignition source at mill)

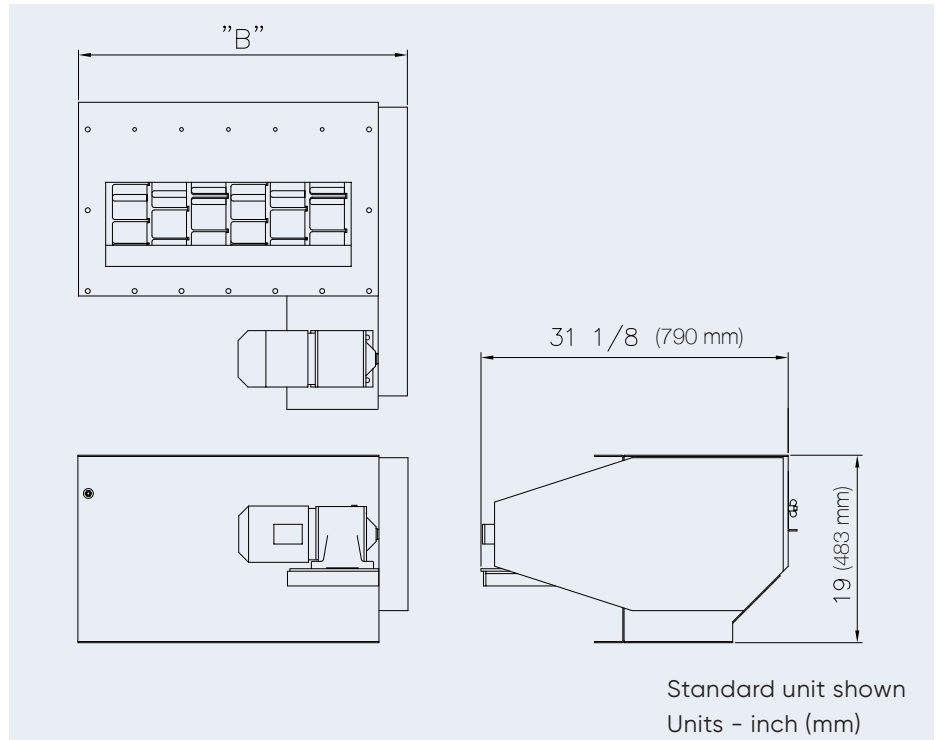
ANDRITZ

ENGINEERED SUCCESS

The Pocket Feeder should be installed with a variable-speed drive. The purpose of this drive is to communicate the load or amperage of the hammer mill's main drive motor to the feeder motor to adjust the feeder speed. This will ensure that the feeder does not supply the hammer mill with more material than the hammer mill's main drive motor can tolerate. With the capability of constant adjustment through the feeder's variable-speed drive, it is possible to avoid overloading the hammer mill.

AVAILABLE OPTIONS:

- Rare earth magnet
- Light density rotor
- Self cleaning magnet



TECHNICAL DATA

Size	"B"	Weight	Motor
1012	21 3/16 (538 mm)	275 lbs (125 Kg)	1 HP (0.75 Kw)
1018	26 3/16 (665 mm)	300 lbs (136 Kg)	1 HP (0.75 Kw)
1024	33 3/16 (843 mm)	325 lbs (147 Kg)	1 HP (0.75 Kw)
1030	38 3/16 (970 mm)	350 lbs (159 Kg)	1 HP (0.75 Kw)
1036	45 3/16 (1148 mm)	375 lbs (170 Kg)	1 HP (0.75 Kw)

ANDRITZ Feed and Biofuel A/S
 andritz-fb.dk@andritz.com
 p: +45 72 160 300 / andritz.com/ft

ANDRITZ Feed and Biofuel USA
 andritz-fb.us@andritz.com
 p: +1 570 546 1253



All data, information, statements, photographs and graphic illustrations in this leaflet are without any obligation and raise no liabilities to or form part of any sales contracts of ANDRITZ AG or any affiliates for equipment and/or systems referred to herein. © ANDRITZ AG 2018. All rights reserved. No part of this copyrighted work may be reproduced, modified or distributed in any form or by any means, or stored in any database or retrieval system, without the prior written permission of ANDRITZ AG or its affiliates. Any such unauthorized use for any purpose is a violation of the relevant copyright laws. ANDRITZ AG, Stattegger Strasse 18, 8045 Graz, Austria.



I 0518